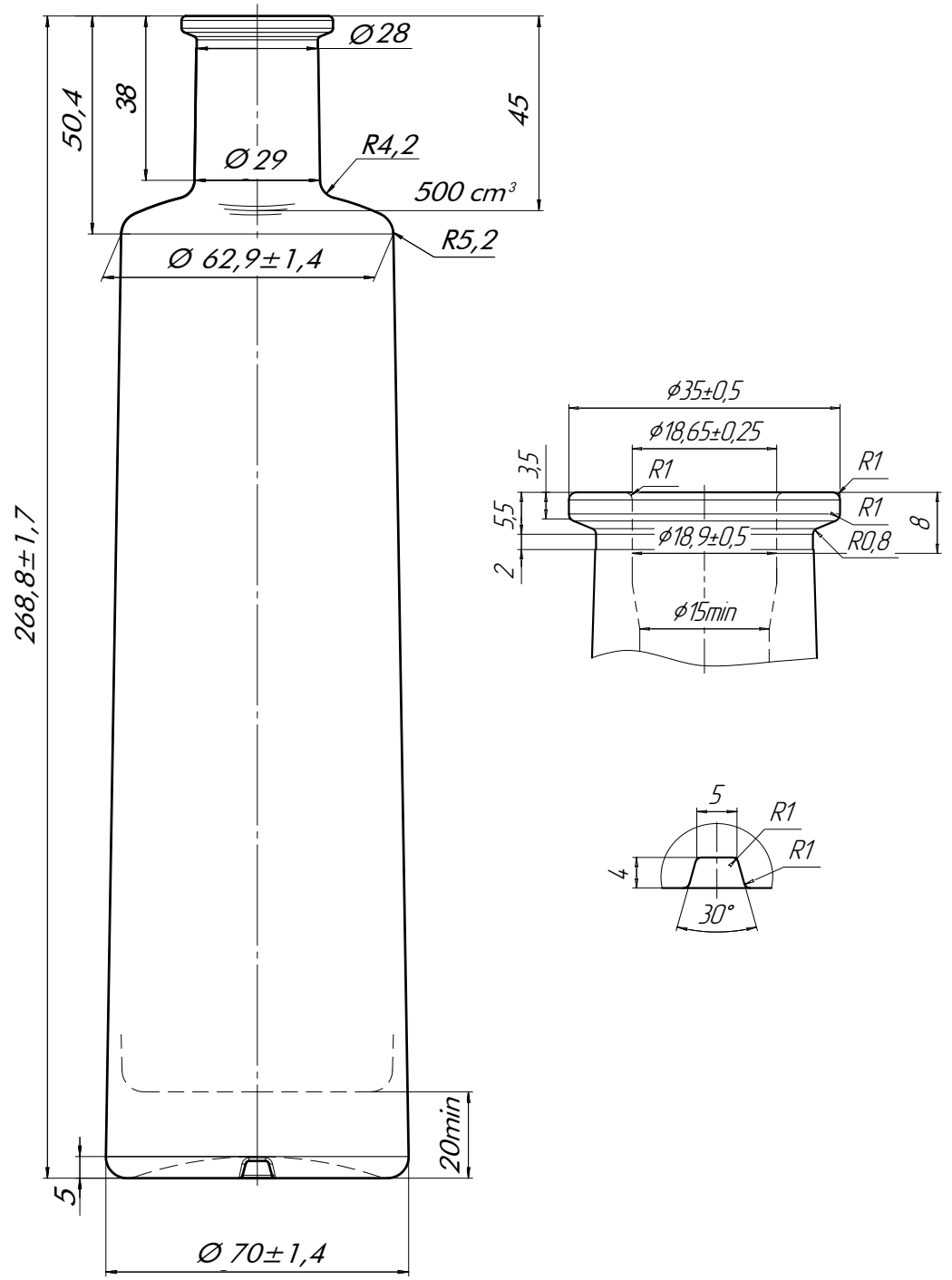


CRETE

0.500



KMC
G L A S S



- ⑧ Crete 0.500

- ⑧ Weight – 690 g

- ⑧ Filling CAP – 500 ml

- ⑧ Color – Flint

- ⑧ Diameter – 70 ± 1.4

www.kmc.glass
sales@kmc.glass